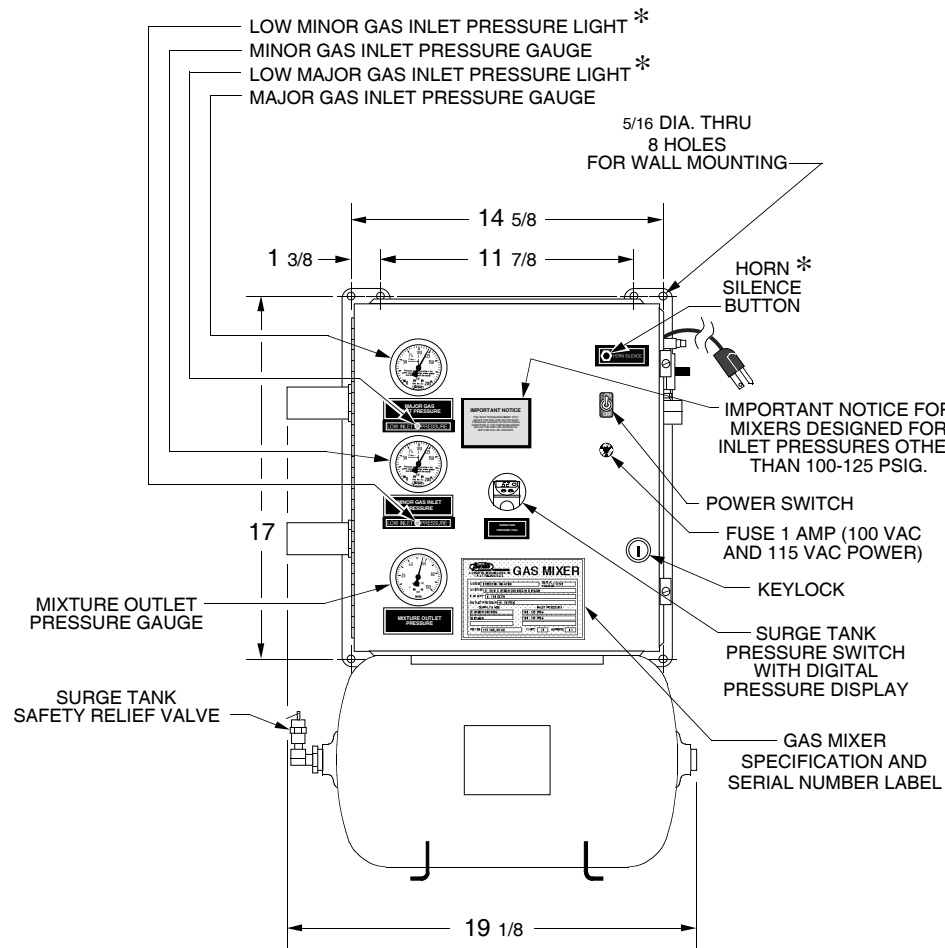
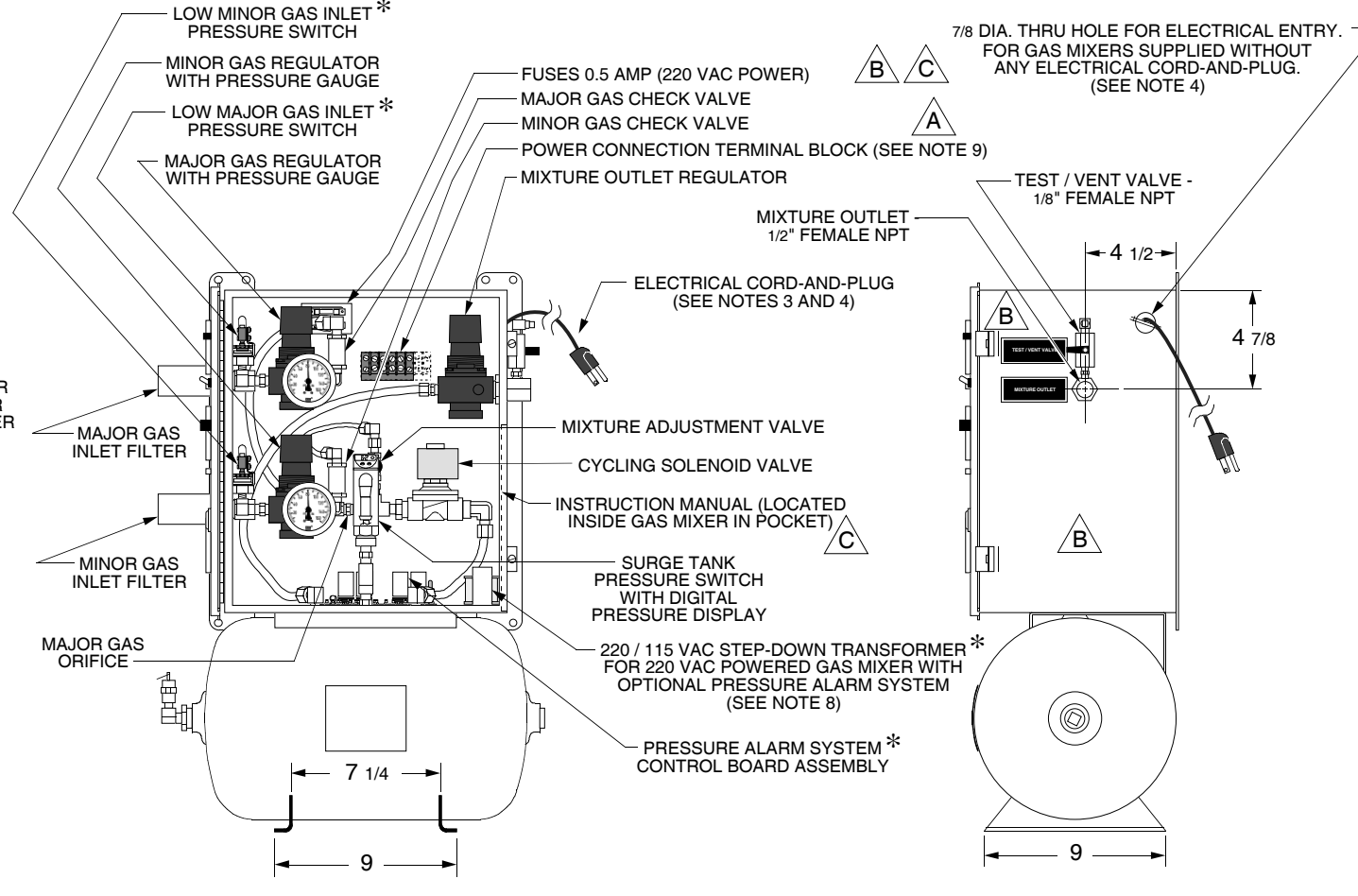


LEFT END VIEW

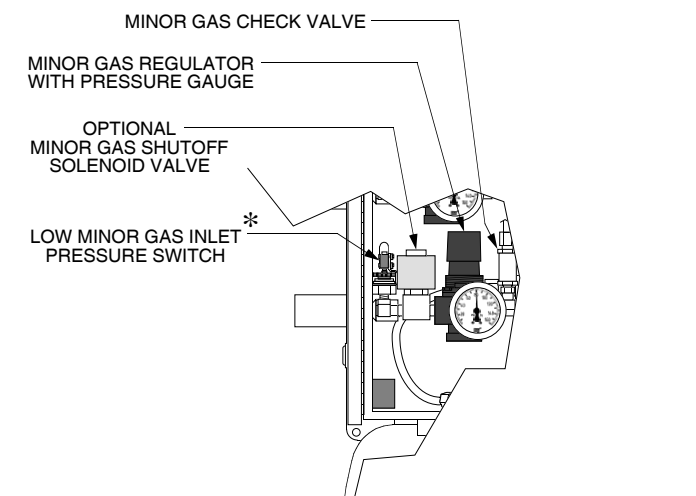


FRONT VIEW WITH DOOR CLOSED

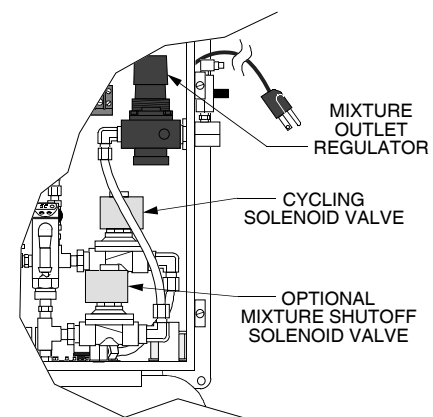


FRONT VIEW WITH DOOR OPEN

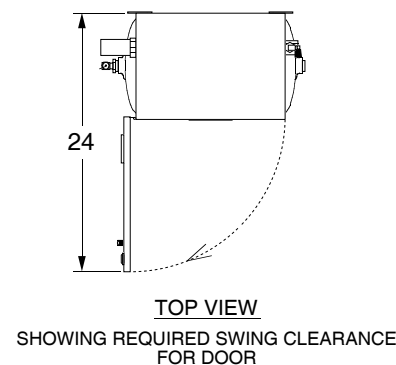
RIGHT END VIEW



PARTIAL FRONT VIEW WITH DOOR OPEN AND OPTIONAL MINOR GAS SHUTOFF SOLENOID VALVE



PARTIAL FRONT VIEW WITH DOOR OPEN AND OPTIONAL MIXTURE SHUTOFF SOLENOID VALVE



TOP VIEW SHOWING REQUIRED SWING CLEARANCE FOR DOOR

- NOTES:
1. DIMENSIONS ARE IN INCHES AND ARE APPROXIMATE.
 2. REFER TO THE DATA SHEET FOR THE MAJOR AND MINOR GASES.
 3. ELECTRICAL PLUG CONNECTION SHOWN IS FOR 115 VAC, WITH A CORD LENGTH OF 9 FEET.
 4. 100 VAC AND 220 VAC VERSIONS ARE SUPPLIED WITHOUT ANY ELECTRICAL CORD-AND-PLUG.
 5. FUSES ARE TYPE 3AG 1/4" X 1 1/4" FAST-ACTING.
 6. THE PRESSURE ALARM SYSTEM, MIXTURE SHUTOFF SOLENOID VALVE AND MINOR GAS SHUTOFF VALVE ARE OPTIONAL. REFER TO THE DATA SHEET FOR ACTUAL OPTIONS.
 7. ITEMS MARKED WITH AN ASTERISK (*) ARE PARTS OF THE OPTIONAL PRESSURE ALARM SYSTEM.
 8. THE 220/115 VAC STEP-DOWN TRANSFORMER IS INSTALLED IN GAS MIXERS POWERED BY 220 VAC ONLY WHEN MANUFACTURED WITH THE OPTIONAL PRESSURE ALARM SYSTEM.
 9. POWER CONNECTION TERMINAL BLOCK IS 4-POSITION FOR 100 AND 115 VAC POWER AND 6-POSITION FOR 220 VAC POWER.

F				INSTRUMENT CORPORATION LA PORTE, INDIANA USA	DATE: 5-20-03
E					SCALE: N.T.S.
D					DRAWN BY: DB
C	RELOCATED INSTRUCTION MANUAL FROM ENCLOSURE INTERIOR TOP TO ENCLOSURE INTERIOR SIDE	DMR	12-22-05		APPROVED BY:
B	RELOCATED INSTRUCTION MANUAL FROM ENCLOSURE EXTERIOR TO ENCLOSURE INTERIOR; CORRECTED TAG	GAR	10-4-05		SUPERSEDES: 1-10971, 1-12113
A	ADDED NOTE 9	GAR	7-16-03	DRAWING NUMBER:	2-12256
	REVISIONS	BY	DATE		