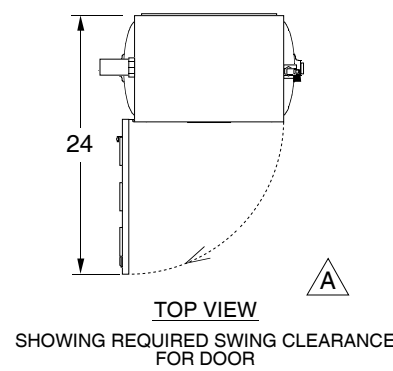


- NOTES:
- ALL DIMENSIONS ARE APPROXIMATE AND LISTED IN INCHES UNLESS OTHERWISE SPECIFIED.
 - SEE DATA SHEET TO IDENTIFY MAJOR GAS, MINOR GAS # 1, AND MINOR GAS # 2.
 - ITEMS MARKED WITH AN ASTERISK (*) ARE PARTS OF THE OPTIONAL PRESSURE ALARM SYSTEM.
 - 100 VAC AND 220 VAC VERSIONS ARE SUPPLIED WITHOUT ANY POWER CORD.
 - POWER CONNECTION TERMINAL BLOCK IS 4-POSITION FOR 100 AND 115 VAC POWER AND 6-POSITION FOR 220 VAC POWER.



G				INSTRUMENT CORPORATION LA PORTE, INDIANA USA	DATE: 4-16-03
F					SCALE: N.T.S.
E					DRAWN BY: DB
D					APPROVED BY:
C					SUPERSEDES: 2-11708
B				INSTRUCTION DRAWING FOR MODELS 8610 AND 8615 GAS MIXERS	DRAWING NUMBER: 2-12228
A	ADDED NOTE NUMBERS; ADDED NOTE 5; ADDED TOP VIEW; CORRECTED IMPORTANT NOTICE INFO	GAR	7-11-03		
	REVISIONS	BY	DATE		