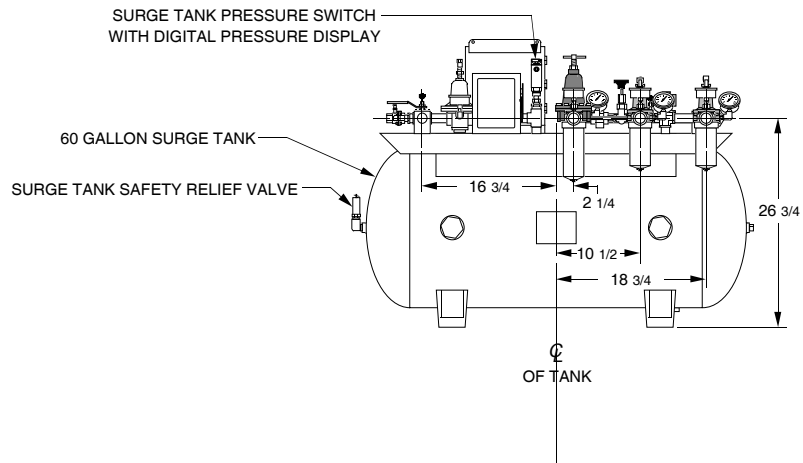
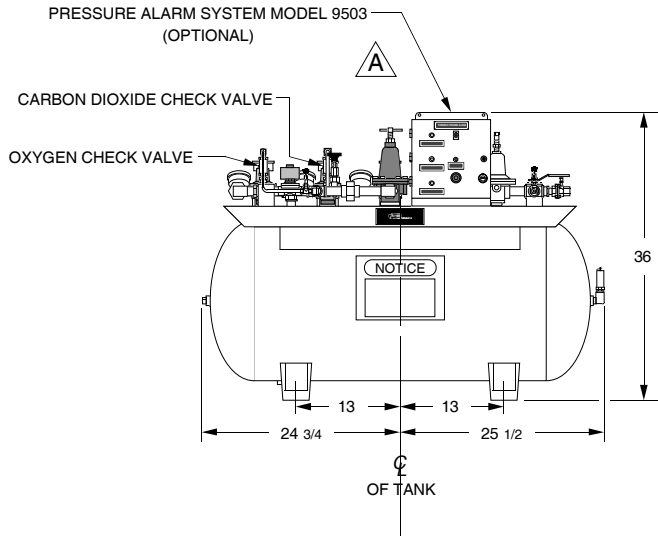
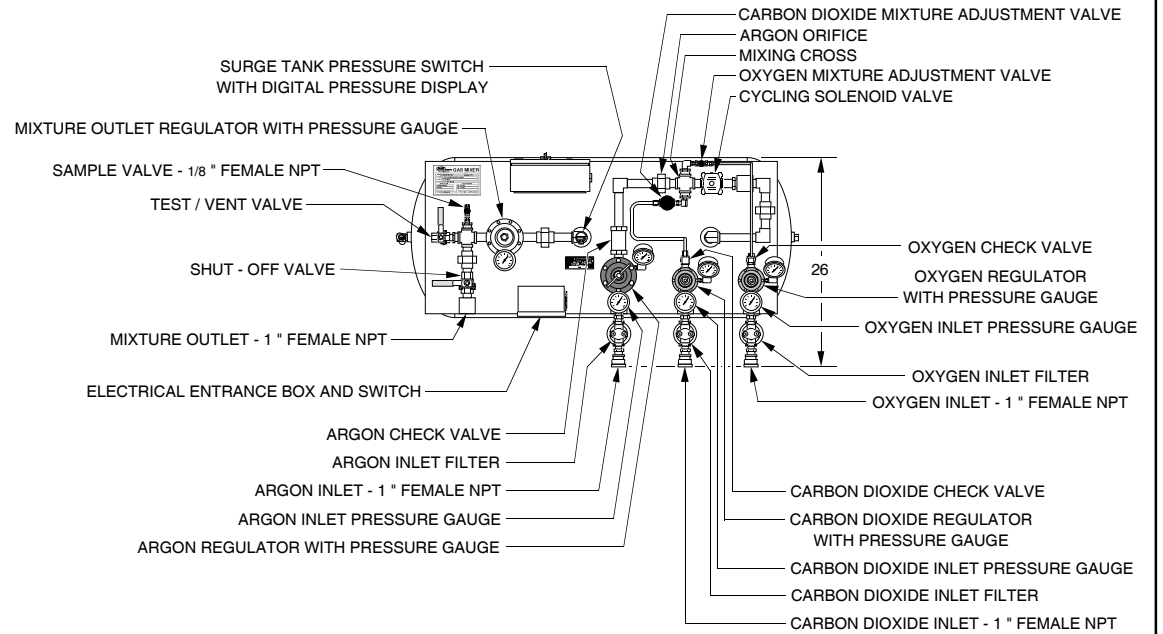
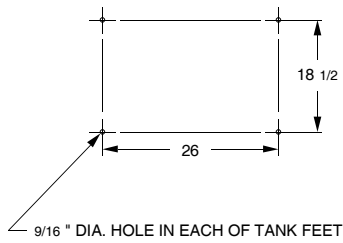


TANK FEET HOLE PATTERN



DIMENSIONS ARE IN INCHES AND ARE APPROXIMATE

| | | | | | |
|---|--|-----|---------|---|-------------------------|
| G | | | | INSTRUMENT CORPORATION LA PORTE, INDIANA USA TITLE: INSTRUCTION DRAWING FOR MODELS 8210 & 8215 GAS MIXERS | DATE: 9-16-03 |
| F | | | | | SCALE: N.T.S. |
| D | | | | | DRAWN BY: DB |
| C | | | | | APPROVED BY: |
| B | | | | | SUPERSEDES: |
| A | ADDED PRESSURE ALARM SYSTEM; DWG TITLE WAS "...FOR MODEL 8215COA GAS..." | DMR | 1-10-05 | | DRAWING NUMBER: 1-12298 |
| | REVISIONS | BY | DATE | | |